



Mesmerizing Tides

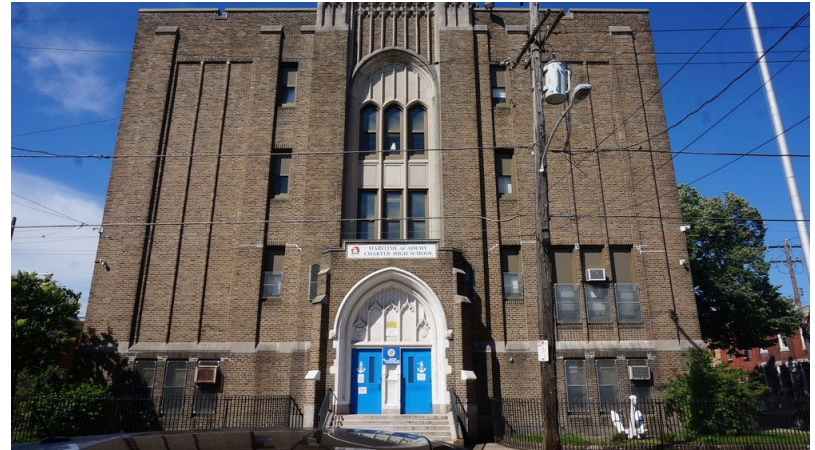
The SeaDog ROV
Presented by: Trinity Porter



Mesmerizing Tides

Demographics:

- One female
- Age 16
- Reside in North Philadelphia





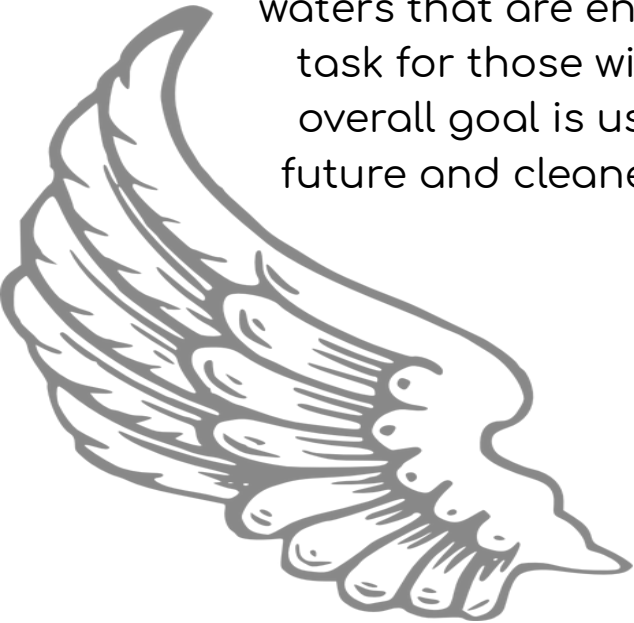
Team Breakdown

- Taylor Neel CEO
- Trinity M. Porter Engineer



Mission Statement

Our mission is "Water Cleanup", so we created an underwater ROV to help improve the success and efficiency in cleaning the depths of the waters that are engulfed mainly with plastic. Even though it's a harder task for those without the skills, or familiarity in design. The whole overall goal is using an underwater ROV for a better and brighter future and cleaner waters. It's a start in bringing new interest in the stem community.





Future Recruitment Methods

To prepare for more events we can get more individuals involved with the help through family members who also are interested in finding new solutions so cleaning up our ocean.





Design Process

Step 1 was gathering information about our last underwater ROV to compare measurements to improve weight and speed, to increase efficiency.

Step 2 of the research was gathering information about obstacles the ROV would have to accomplish given a hard challenge, such as fitting through tight spaces or moving certain objects.



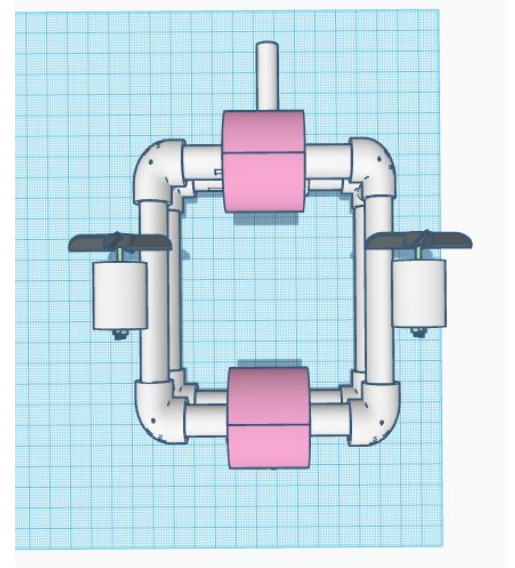
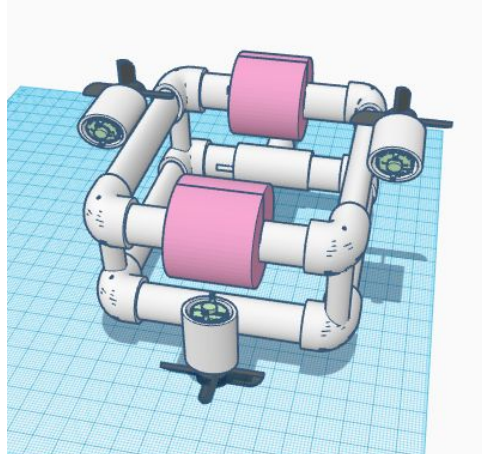
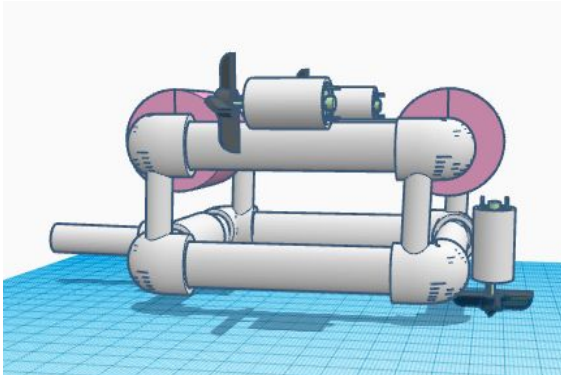
Step 3 consisted in calculation measurement, making sure each part for the base of the ROV so it could succeed in it's testing phase.

Step 4 a design flaw that occurred was placement in motors and pvc piping that needed to fit in certain places, when it didn't at first.

Step 5 getting the design looked over by a trusted instructor/ teacher in the program who help in basic changes.

Application and use of technology

Tinkercad Design





Lessons Learned

A good lesson to be learned from this is that most jobs can be done with more help with other's there by your side. Though people may have gone through tough times and may have suffer great damage from personal problems, other make good enough effort to bring them back to a good state. A Mesmerizing Tide.





Future Improvements



Future Improvements would be valued time with recruits working on skill management and dedication. When wanting to prove themselves that they could help the team in anyway possible.